



I-7561

USB to Isolated RS-232/422/485 Converter

Features

- Fully Compliant with the USB 1.1/2.0 (High Speed)
- No External Power Supply required
- Baud Rate, 300 – 115200 bps
- 3000 V_{oc} Isolation Protection on the RS-232/422/485 side
- ESD Protection for the RS-232/422/485 Data Line
- Operating Temperatures, -25 °C – +75 °C
- Driver Supports Windows 98/ME/2000/XP/Vista (32/64-bit)/7 (32/64-bit)/Linux
- DIN-Rail



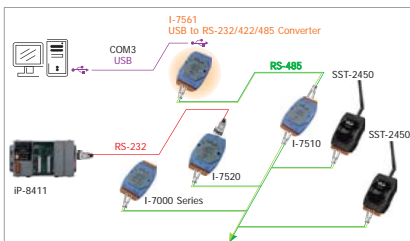
Introduction

The I-7561 is a cost-effective module for transferring serial data via USB. It allows you to connect your serial devices to systems that use a USB interface. Connecting the I-7561 to a PC, you get one RS-232/422/485 port. Like the I-7520A, the I-7561 contains "Self Tuner" chip auto-tunes the Baud Rate and data format to the RS-485 network. The I-7561 module derives its power from the USB port and doesn't need any power adapter. It also features a high-speed 115.2 kbps transmission rate, and supports various O.S. independent RS-232/422/485 Ports.

Software

Driver
Windows 98/ME/2000/XP/Vista (32/64-bit)/7 (32/64-bit)/Linux

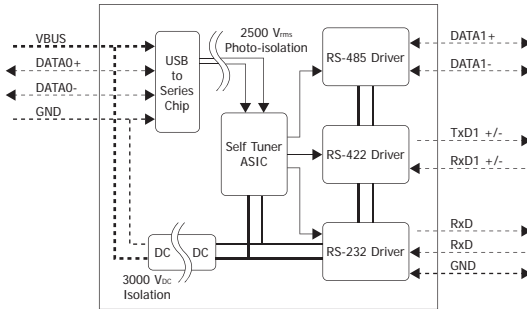
Applications



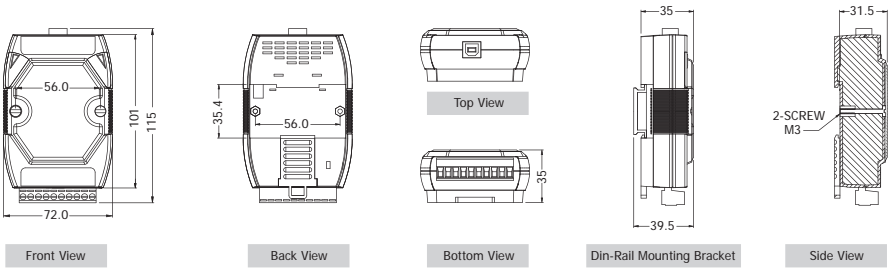
Specifications

Interface			
USB		Compatibility: USB 1.1 and 2.0 standards	
Serial Interface	RS-232	TxD, RxD, GND	The RS-232, RS-422 and RS-485 cannot be used simultaneously
	RS-422	TxD+, TxD-, RxD+, RxD-	
	RS-485	Data+, Data-	
2-wire cabling/4-wire cabling		Belden 8941 (2P twisted-pair cable)/Belden 8942 (4P twisted-pair cable), if different cables are used, the transmission distance may change	
RS-422/485 Transfer Distance		Max. 1,200 m at 9.6 kbps; Max. 400 m at 115.2 kbps	
Maximum Supported RS-485 Devices		256 (Without repeater)	
Self-Tuner Asic Inside (RS-485)		Yes	
Speed		300 – 115200 bps	
Connection	RS-232/422/485	Removable 10-Pin Terminal Block	
	USB	Type B	
Cable Included		CA-USB18 (1.8 m Cable) x 1	
LED Indicators			
Power		Yes	
Power			
Input Voltage Range		+5 V _{oc} from USB	
Power Consumption		0.5 W	
Mechanical			
Casing		Plastic	
Flammability		Fire Retardant Materials (UL94-V0 Level)	
Dimensions (W x H x D)		72 mm x 115 mm x 35 mm	
Installation		DIN-Rail	
Environment			
Operating Temperature		-25 °C – +75 °C	
Storage Temperature		-30 °C – +75 °C	
Humidity		10 – 90% RH, non-condensing	

Internal I/O Structure



Dimensions (Unit: mm)



Pin Assignments



Terminal No.	Pin Assignment
RS-485	01 DATA+
	02 DATA-
	03 TxD+
RS-422/485	04 TxD-
	05 Rx/D+/DATA2+
	06 Rx/D-/DATA2-
	07 Tx/D
RS-232	08 Rx/D
	09 (B)GND
	10 (B)GND

Ordering Information

I-7561 CR	USB to RS-232/422/485 Converter (RoHS)
I-7561-G CR	USB to RS-232/422/485 Converter (Gray Cover) (RoHS)
Include Cable	CA-USB18 (1.8 m Cable) x 1

Accessories

USB-2560 CR	Industrial 4-port USB 2.0 Hub
CA-USB18	USB Type A to Type B Cable