

ADAM-3968/20

***68-pin SCSI-II to Three 20-pin Wiring
Terminal Module for DIN-rail Mounting***

User's Manual

ADAM and the ADAM logo are trademarks of Advantech
Part No. 2003396810 1st Edition
Printed in taiwan July 2000

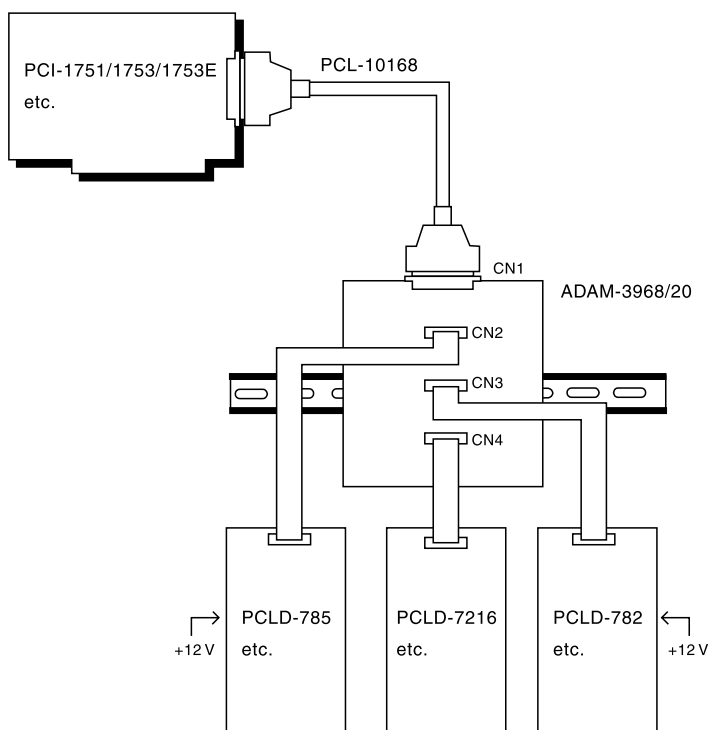
Introduction

The ADAM-3968/20 is a 68-pin SCSI-II to three 20-pin wiring terminal module for DIN-rail mounting. This terminal module can be readily connected to the Advantech PC-Lab cards and allow easy yet reliable to individual daughter boards.

Features

- Low cost universal DIN-rail mounting screw terminal module for PC-LabCards with 68-pin SCSI-II connectors
- Converts one 68-pin SCSI-II connector to three 20-pin connectors
- Case dimensions: 77.5mm(W) X 80mm(L) X 54.3mm(H)
(3.1" X 3.2" X 2.1")

Architecture



Note: An +12V supply must be applied externally when the daughter boards such as PCLD-782/785 etc. is connected via a 20-pin connector through ADAM-3968/20.

Pin Assignments

| CN1 | | | |
|------|----|----|------|
| PA00 | 1 | 35 | PA10 |
| PA01 | 2 | 36 | PA11 |
| PA02 | 3 | 37 | PA12 |
| PA03 | 4 | 38 | PA13 |
| PA04 | 5 | 39 | PA14 |
| PA05 | 6 | 40 | PA15 |
| PA06 | 7 | 41 | PA16 |
| PA07 | 8 | 42 | PA17 |
| NC | 9 | 43 | NC |
| PB00 | 10 | 44 | PB10 |
| PB01 | 11 | 45 | PB11 |
| PB02 | 12 | 46 | PB12 |
| PB03 | 13 | 47 | PB13 |
| PB04 | 14 | 48 | PB14 |
| PB05 | 15 | 49 | PB15 |
| PB06 | 16 | 50 | PB16 |
| PB07 | 17 | 51 | PB17 |
| NC | 18 | 52 | NC |
| PC00 | 19 | 53 | PC10 |
| PC01 | 20 | 54 | PC11 |
| PC02 | 21 | 55 | PC12 |
| PC03 | 22 | 56 | PC13 |
| PC04 | 23 | 57 | PC14 |
| PC05 | 24 | 58 | PC15 |
| PC06 | 25 | 59 | PC16 |
| PC07 | 26 | 60 | PC17 |
| GND | 27 | 61 | NC |
| NC | 28 | 62 | NC |
| NC | 29 | 63 | NC |
| NC | 30 | 64 | NC |
| NC | 31 | 65 | NC |
| NC | 32 | 66 | NC |
| NC | 33 | 67 | NC |
| +5V | 34 | 68 | NC |

| CN2 | | | |
|------|----|----|------|
| PA10 | 1 | 2 | PA11 |
| PA12 | 3 | 4 | PA13 |
| PA14 | 5 | 6 | PA15 |
| PA16 | 7 | 8 | PA17 |
| PB10 | 9 | 10 | PB11 |
| PB12 | 11 | 12 | PB13 |
| PB14 | 13 | 14 | PB15 |
| PB16 | 15 | 16 | PB17 |
| GND | 17 | 18 | GND |
| +5V | 19 | 20 | NC |

| CN3 | | | |
|------|----|----|------|
| PC00 | 1 | 2 | PC01 |
| PC02 | 3 | 4 | PC03 |
| PC04 | 5 | 6 | PC05 |
| PC06 | 7 | 8 | PC07 |
| PC10 | 9 | 10 | PC11 |
| PC12 | 11 | 12 | PC13 |
| PC14 | 13 | 14 | PC15 |
| PC16 | 15 | 16 | PC17 |
| GND | 17 | 18 | GND |
| +5V | 19 | 20 | NC |

| CN4 | | | |
|------|----|----|------|
| PA00 | 1 | 2 | PA01 |
| PA02 | 3 | 4 | PA03 |
| PA04 | 5 | 6 | PA05 |
| PA06 | 7 | 8 | PA07 |
| PB00 | 9 | 10 | PB01 |
| PB02 | 11 | 12 | PB03 |
| PB04 | 13 | 14 | PB05 |
| PB06 | 15 | 16 | PB07 |
| GND | 17 | 18 | GND |
| +5V | 19 | 20 | NC |