

# ADAM-4060

# ADAM-4068

# ADAM-4069

4-ch Relay Output Module

8-ch Relay Output Module with Modbus

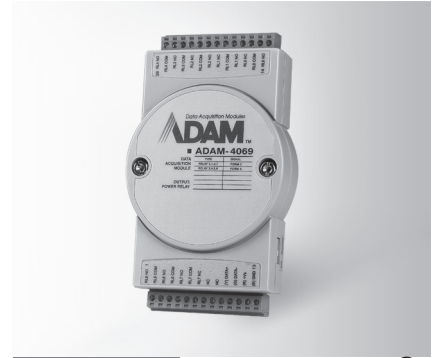
8-ch Power Relay Output Module with Modbus



ADAM-4060



ADAM-4068



ADAM-4069



## Specifications

### General

- Connectors 2 x plug-in terminal blocks (#14 ~ 22 AWG)
- Power Consumption 0.8 W @ 24 V<sub>DC</sub>
- Watchdog Timer System (1.6 second)
- Supported Protocols ASCII command

### Relay Output

- Breakdown Voltage 500 V<sub>AC</sub> (50/60 Hz)
- Channels 2 x Form A  
2 x Form C
- Contact Rating (Resistive) 0.6 A @ 125 V<sub>AC</sub>  
0.3 A @ 250 V<sub>AC</sub>  
2 A @ 30 V<sub>DC</sub>  
0.6 A @ 110 V<sub>DC</sub>
- Initial Insulation Resistance 1 GΩ min. at 500 V<sub>DC</sub>
- Relay off Time (Typical) 2 ms
- Relay on Time (Typical) 3 ms
- Maximum Operating Speed 20 operations/min (at related load)

## Specifications

### General

- Connectors 2 x plug-in terminal blocks (#14 ~ 28 AWG)
- Power Consumption 0.6 W @ 24 V<sub>DC</sub>
- Watchdog Timer System (1.6 second) & Communication
- Supported Protocols ASCII command and Modbus/RTU

### Relay Output

- Breakdown Voltage 500 V<sub>AC</sub> (50/60 Hz)
- Channels 4 x Form A  
4 x Form C
- Contact Rating (Resistive) 0.5 A @ 120 V<sub>AC</sub>  
0.25 A @ 240 V<sub>AC</sub>  
1 A @ 30 V<sub>DC</sub>  
0.3 A @ 110 V<sub>DC</sub>
- Initial Insulation Resistance 1 GΩ min. at 500 V<sub>DC</sub>
- Relay off Time (Typical) 4 ms
- Relay on Time (Typical) 3 ms
- Maximum Operating Speed 50 operations/min (at related load)

## Specifications

### General

- Connectors 2 x plug-in terminal blocks (#14 ~ 28 AWG)
- Power Consumption 2.2 W @ 24 V<sub>DC</sub>
- Watchdog Timer System (1.6 second) & Communication
- Supported Protocols ASCII command and Modbus/RTU

### Relay Output

- Breakdown Voltage 1,000 V<sub>AC</sub> (50/60 Hz)
- Channels 4 x Form A  
4 x Form C
- Contact Rating (Resistive) 5 A @ 250 V<sub>AC</sub>  
5 A @ 30 V<sub>DC</sub>
- Initial Insulation Resistance 1 GΩ min. at 500 V<sub>DC</sub>
- Relay off Time (Typical) 5.6 ms
- Relay on Time (Typical) 5 ms
- Maximum Operating Speed 6 operations/min (at related load)

## Common Specifications

### General

- Power Input Unregulated 10 ~ 30 V<sub>DC</sub>

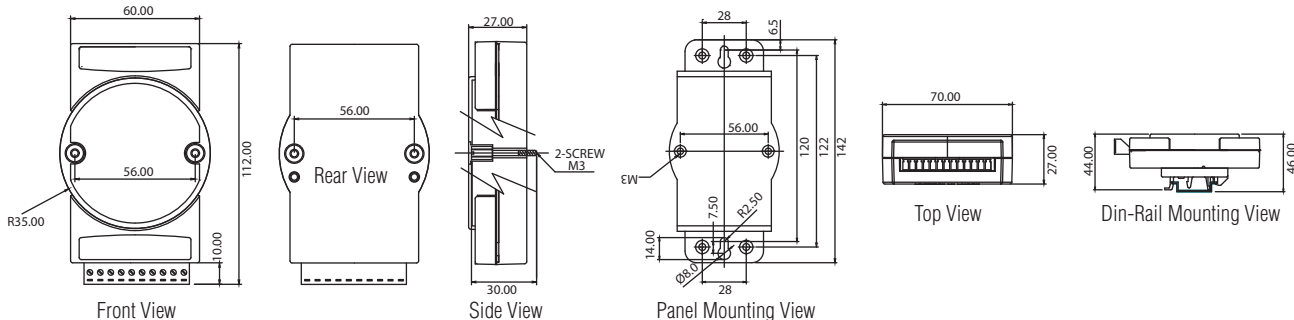
### Environment

- Operating Humidity 5 ~ 95% RH
- Operating Temperature -10 ~ 70°C (14 ~ 158°F)
- Storage Temperature -25 ~ 85°C (-13 ~ 185°F)

## Ordering Information

- ADAM-4060 4-ch Relay Output Module
- ADAM-4068 8-ch Relay Output Module with Modbus
- ADAM-4069 8-ch Power Relay Output Module with Modbus

## Dimensions



KOLBINGER - PCQT - +43 2239 3160

AT-2384 Breitenfurt/Vienna, Hauptstrasse 93, office@kolbinger.at, www.pcqt.at