

ET-7066

PET-7066

Ethernet I/O Module with 8-channels PhotoMOS Relay

Features

- Built-in Web Server
- Web HMI
- Support for both Modbus TCP and Modbus UDP Protocols
- Communication Security
- Dual Watchdog
- Wide Operating Temperature Range: -25 ~ +75°C
- I/O Pair Connection
- Built-in I/O
 - PhotoMOS Relay: 8 Channels



Introduction

The ET-7066/PET-7066 provides 8 form A PhotoMOS relays. It features optical isolation for 3000 Vrms of transient overvoltage protection and doesn't have channel-to-channel isolation. The power-on value and safe value of PhotoMOS relay are programmable. It can safely be used in applications where hazardous voltages are present.

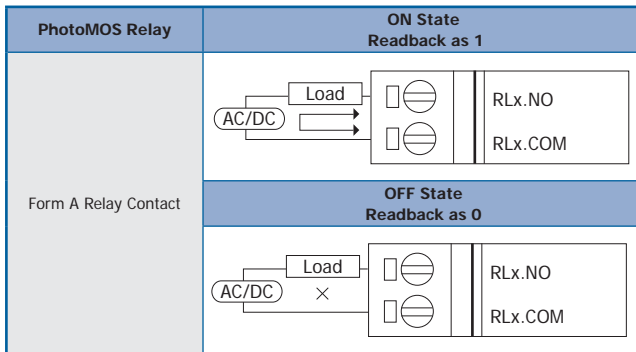
System Specifications

Models	ET-7066	PET-7066
Software		
Built-in Web Server		Yes
Web HMI		Yes
I/O Pair Connection		Yes
Communication		
Ethernet Port	10/100 Base-TX with Auto MDI/MDI-X	
PoE	-	Yes
Protocol	Modbus TCP, Modbus UDP	
Security	ID, Password and IP Filter	
Dual Watchdog	Yes, Module (0.8 seconds), Communication (Programmable)	
LED Indicators		
L1 (System Running)		Yes
L2 (Ethernet Link/Act)		Yes
L3 (Ethernet 10/100 M Speed)		Yes
PoE Power	-	Yes
2-Way Isolation		
Ethernet	1500 Vdc	-
I/O	3000 Vrms	3000 Vrms
EMS Protection		
ESD (IEC 61000-4-2)	±4 kV Contact for Each Terminal	
EFT (IEC 61000-4-4)	±2 kV for Power	
Power		
Reverse Polarity Protection		Yes
Powered from Terminal Block	Yes, 10 ~ 30 Vdc	Yes, 12 ~ 48 Vdc
Powered from PoE	-	Yes, IEEE 802.3af, Class1
Power Output	-	-
Consumption	2.6 W (Max.)	2.8 W (Max.)
Mechanical		
Dimensions (L x W x H)	123 mm x 72 mm x 35 mm	
Installation	DIN-Rail or Wall Mounting	
Environment		
Operating Temperature	-25 ~ +75°C	
Storage Temperature	-30 ~ +80°C	
Humidity	10 ~ 90% RH, Non-condensing	

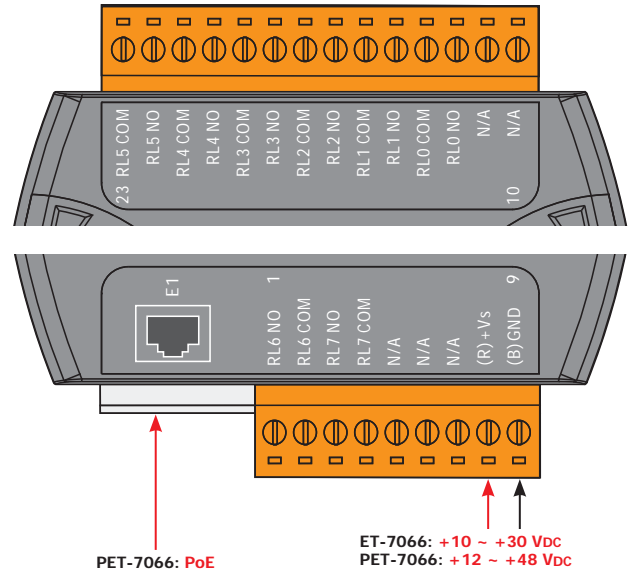
I/O Specifications

PhotoMOS Relay	
Channels	8
Type	PhotoMOS Relay, Form A
Load Voltage	60 Vdc/Vac
Load Current	60 V/1.0 A (Operating Temperature -25 ~ +40°C)
	60 V/0.8 A (Operating Temperature +40 ~ +60°C)
	60 V/0.7 A (Operating Temperature +60 ~ +75°C)
Operate Time	1.3 ms (Typical)
Release Time	0.1 ms (Typical)
Power-on Value	Yes, Programmable
Safe Value	Yes, Programmable

Wire Connections



Pin Assignments



Ordering Information

ET-7066 CR	Ethernet I/O Module with 8-channels PhotoMOS Relay (RoHS)
PET-7066 CR	PoE Ethernet I/O Module with 8-channels PhotoMOS Relay (RoHS)