



ET-7067
PET-7067

ET-7267
PET-7267

Ethernet I/O Module with 8-channels Relay

Features

- Built-in Web Server
- Web HMI
- Support for both Modbus TCP and Modbus UDP Protocols
- Communication Security
- 2-port Ethernet Switch for Daisy-Chain Topology
- Dual Watchdog
- Wide Operating Temperature Range: -25 ~ +75°C
- I/O Pair Connection
- Built-in I/O
 - Power Relay: 8 Channels



Introduction

The ET-7067/PET-7067/ET-7267/PET-7267 provides 8 form A electromechanical relays. It features optical isolation for 3000 Vdc of transient overvoltage protection and doesn't have channel-to-channel isolation. The power-on value and safe value of relay are programmable. It can safely be used in applications where hazardous voltages are present.

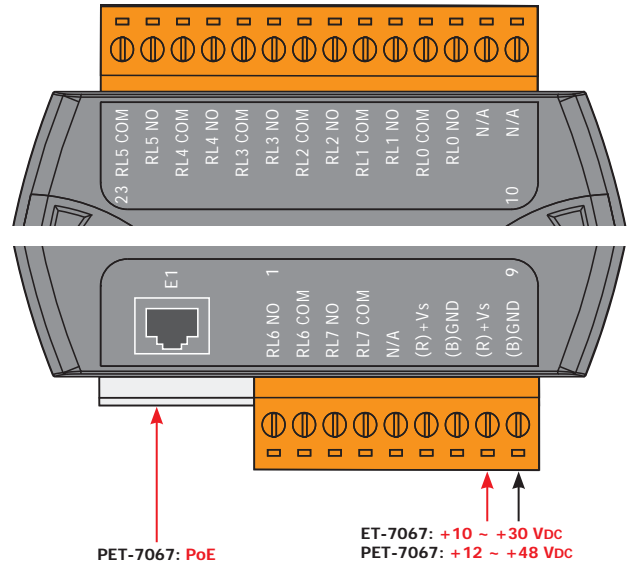
System Specifications

Models	ET-7067	PET-7067	ET-7267	PET-7267
Software				
Built-in Web Server			Yes	
Web HMI			Yes	
I/O Pair Connection			Yes	
Communication				
Ethernet Port	1 x RJ-45, 10/100 Base-TX		2 x RJ-45, 10/100 Base-TX, Switch Ports	
PoE	-	Yes	-	Yes
Protocol	Modbus TCP, Modbus UDP			
Security	ID, Password and IP Filter			
Dual Watchdog	Yes, Module (0.8 seconds), Communication (Programmable)			
LED Indicators				
for System Running			Yes	
for Ethernet Link/Act			Yes	
for DI/DO status	-	-	Yes	
for PoE Power	-	Yes	-	Yes
2-Way Isolation				
Ethernet	1500 Vdc	-	1500 Vdc	-
I/O	3000 Vdc			
EMS Protection				
ESD (IEC 61000-4-2)	±4 kV Contact for Each Terminal and ±8 kV Air for Random Point			
EFT (IEC 61000-4-4)	±2 kV for Power Line		±4 kV for Power Line	
Surge (IEC 61000-4-5)	±0.5 kV for Power Line		±2 kV for Power Line	
Power				
Reverse Polarity Protection	Yes			
Powered from Terminal Block	10 ~ 30 Vdc	12 ~ 48 Vdc	12 ~ 48 Vdc	12 ~ 48 Vdc
Powered from PoE	-	Yes, IEEE 802.3af, Class1	-	Yes, IEEE 802.3af, Class1
Consumption	3.4 W (Max.)	3.3 W (Max.)	3.9 W (Max.)	4.1 W (Max.)
Mechanical				
Dimensions (L x W x H)	123 mm x 72 mm x 35 mm		120 mm x 76 mm x 38 mm	
Installation	DIN-Rail or Wall Mounting			
Environment				
Operating Temperature	-25 ~ +75°C			
Storage Temperature	-30 ~ +80°C			
Humidity	10 ~ 90% RH, Non-condensing			

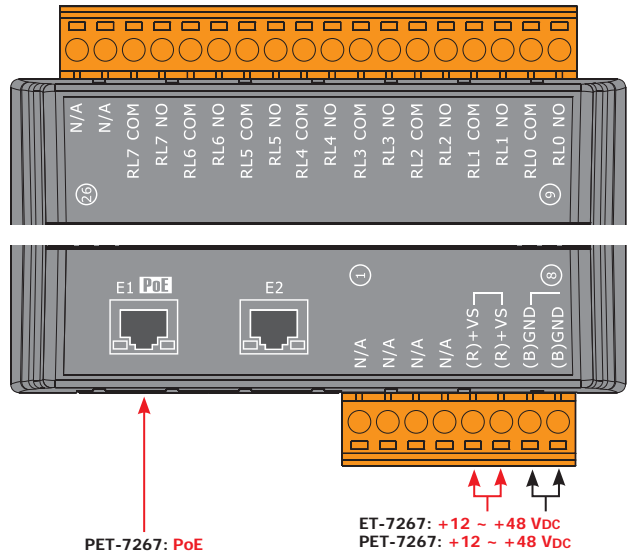
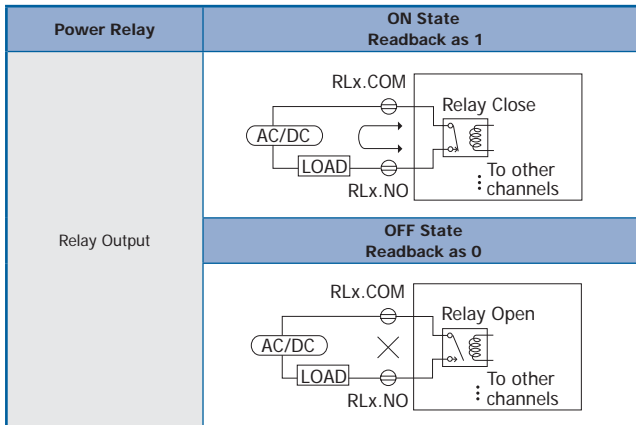
I/O Specifications

Power Relay	
Channels	8
Type	Power Relay, Form A (SPST N.O.)
Contact Rating	5 A @ 250 VAC/24 Vdc (Resistive Load)
Min. Contact Load	10 mA @ 5 V
Operate Time	10 ms (max.)
Release Time	5 ms (max.)
Mechanical Endurance	2 × 10 ⁷ ops.
Electrical Endurance	10 ⁵ ops.
Power-on Value	Yes, Programmable
Safe Value	Yes, Programmable

Pin Assignments



Wire Connections



Ordering Information

ET-7067 CR	Ethernet I/O Module with 8-channels Relay (RoHS)
PET-7067 CR	PoE Ethernet I/O Module with 8-channels Relay (RoHS)
ET-7267 CR	Ethernet I/O Module with 2-port Ethernet Switch, with 8-channels Relay (RoHS)
PET-7267 CR	PoE Ethernet I/O Module with 2-port Ethernet Switch, with 8-channels Relay (RoHS)