

## VXC-148U

## PCIe-S148

Serial Communication Card with 8 RS-422/485 ports

### Introduction

The VXC-148U supports 3.3 V/5 V PCI bus, while the PCIe-S148 supports PCI Express bus. These cards provide 8 RS-422/485 serial ports. It is equipped with a 256-byte hardware FIFO for each port, supports for speed up to 115200 bps (VXC-148U) or 921600 bps (PCIe-S148) and supports full-duplex communication. The PCIe-S148/VXC-148U card support drivers choose an available COM port number automatically.

The serial communication card are designed for use with intelligent devices like bar code reader, serial printers, intelligent sensors, instrumentation equipment, computers and almost any device with an RS-422/485 port.

### Software

#### Drivers

- 32-bit Windows XP/2003/2008/7/8/10
- 64-bit Windows XP/2003/2008/7/8/10

### Hardware Specifications

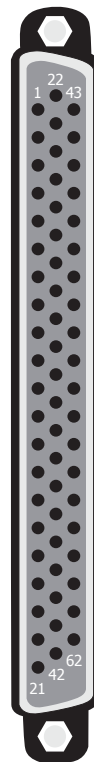
Model	VXC-148U	PCIe-S148
<b>Analog Output</b>		
COM1 ~ COM8	RS-422/485	The RS-422 and RS-485 cannot be used simultaneously
	RS-422	TxD+, TxD-, RxD+, RxD-, GND
	RS-485	Data+, Data-, GND
UART	16C950 compatible	
Baud Rate	50 - 115200 bps	2400 - 921600 bps
Data Bit	5, 6, 7, 8	
Stop Bit	1, 1.5, 2	
Parity	None, Even, Odd, Mark, Space	
FIFO	Internal 256 bytes	
<b>General</b>		
Bus Type	3.3 V/5 V Universal PCI, 32-bit, 33 MHz	PCI Express x1
COM-Selector	No	
Connectors	Female DB-62	
PCB Dimensions (L x H)	119.9 mm x 85.4 mm	115.7 mm x 93.1 mm
Power Consumption	120 mA @ 5 V	
Operating Temperature	0°C to +60°C	
Storage Temperature	-20 °C ~ +70 °C	
Humidity	0 to 90% RH, Non-condensing	

### Features

- VXC-148U: Universal PCI (3.3 V/5 V) Interface
- PCIe-S148: PCI Express x1
- Provides 8 RS-422/485 ports
- 256-byte Hardware FIFO for Each Port
- Automatically select an available COM port number
- Supports COM port number selection under software control
- Short Card Design
- RoHS compliant & no Halogen

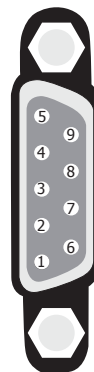


### Pin Assignments



Terminal No.	Pin Assignment	Terminal No.	Pin Assignment	Terminal No.	Pin Assignment
01	RxD0+	22	TxD0+/Data0+	43	-
02	RxD0-	23	-	44	-
03	TxD1+/Data1+	24	TxD0-/Data0-	45	GND
04	-	25	RxD1+	46	-
05	TxD1-/Data1-	26	RxD1-	47	-
06	RxD2+	27	TxD2+/Data2+	48	-
07	RxD2-	28	-	49	-
08	TxD3+/Data3+	29	TxD2-/Data2-	50	GND
09	-	30	RxD3+	51	-
10	TxD3-/Data3-	31	RxD3-	52	-
11	TxD4+/Data4+	32	GND	53	-
12	-	33	RxD4+	54	-
13	TxD4-/Data4-	34	RxD4-	55	GND
14	RxD5+	35	TxD5+/Data5+	56	-
15	RxD5-	36	-	57	-
16	TxD6+/Data6+	37	TxD5-/Data5-	58	GND
17	-	38	RxD6+	59	-
18	TxD6-/Data6-	39	RxD6-	60	-
19	TxD7+/Data7+	40	GND	61	-
20	-	41	RxD7+	62	-
21	TxD7-/Data7-	42	RxD7-		

CON1

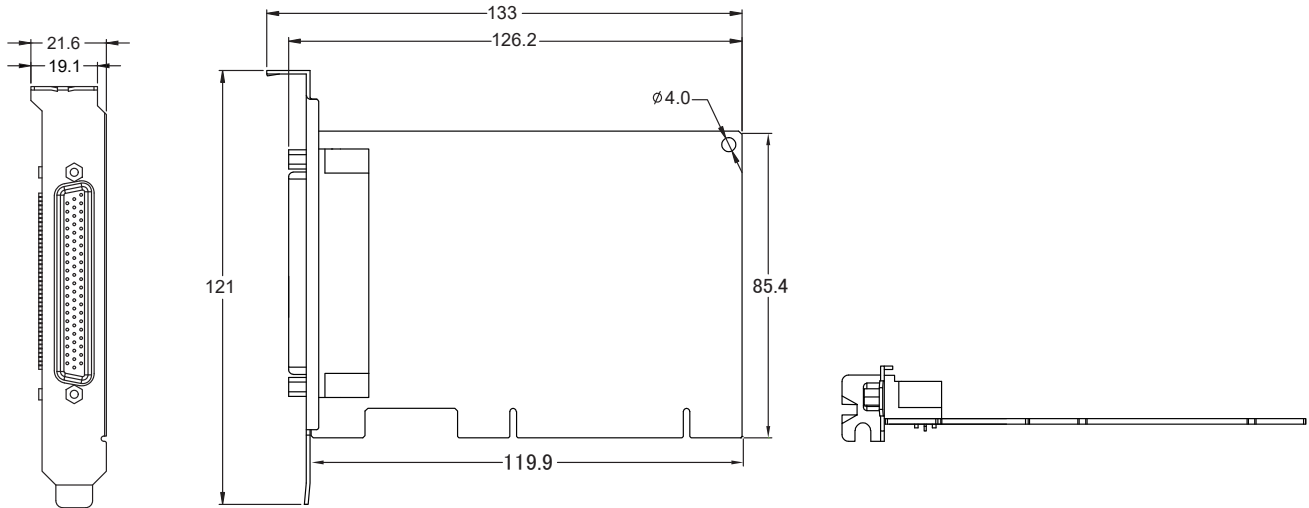


Terminal No.	Pin Assignment
01	TxD-/Data-
02	TxD+/Data+
03	RxD+
04	RxD-
05	GND
06	-
07	-
08	-
09	-

RS-422/485 Female DB-62 to Male DB-9 Connector

## Dimensions (Units: mm)

### VXC-148U

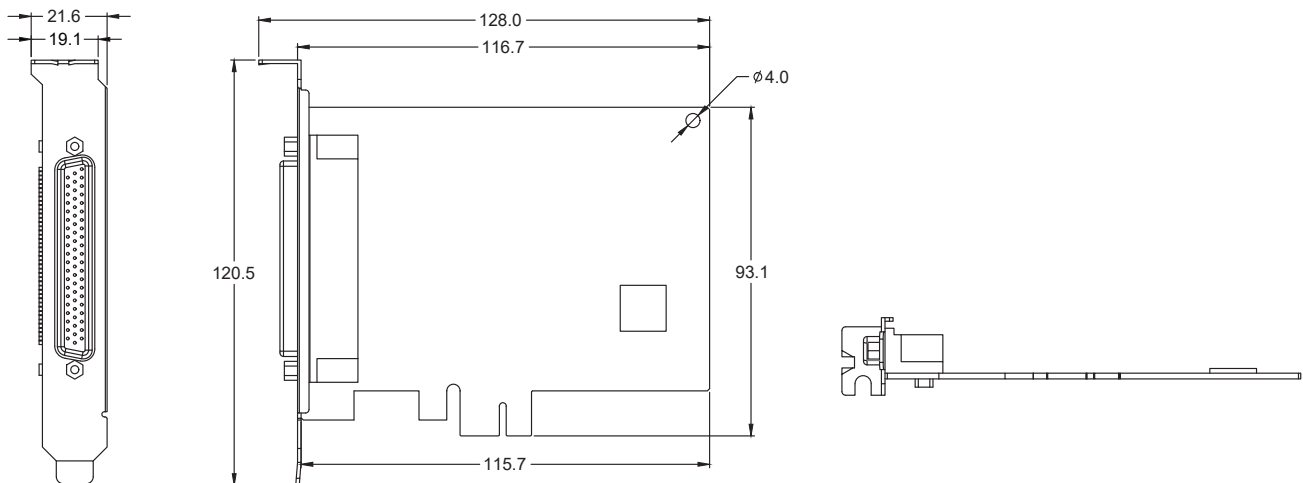


Left View

Front View

Bottom View

### PCIe-S148



Left View





Front View

Bottom View

## Ordering Information

<b>VXC-148U CR</b>	Universal PCI, Serial Communication card with 8 RS-422/485 ports (RoHS) Includes one CA-PC62M D-Sub connector.
<b>VXC-148U/D2 CR</b>	Universal PCI, Serial Communication card with 8 RS-422/485 ports (RoHS) Includes one CA-9-6210 cable.
<b>PCIe-S148 CR</b>	PCI Express, Serial Communication Card with 8 RS-422/485 ports. (RoHS) Includes one CA-PC62M D-Sub connector.
<b>PCIe-S148/D2 CR</b>	PCI Express, Serial Communication Card with 8 RS-422/485 ports. (RoHS) Includes one CA-9-6210 cable.

## Accessories

 <b>CA-PC62M</b>	62-Pin Male D-Sub Connector with Plastic Cover
 <b>CA-9-6210</b>	DB-62 Male (D-Sub) to 8 Port DB-9 Male (D-sub) Cable, 1 M (180°)
 <b>CA-PC09F</b>	9-Pin Female D-Sub Connector with Plastic Cover
 <b>DN-092F</b>	I/O Connector Block with DIN-Rail Mounting and two 9-pin Male Header. Includes two CA-0910F Cables